

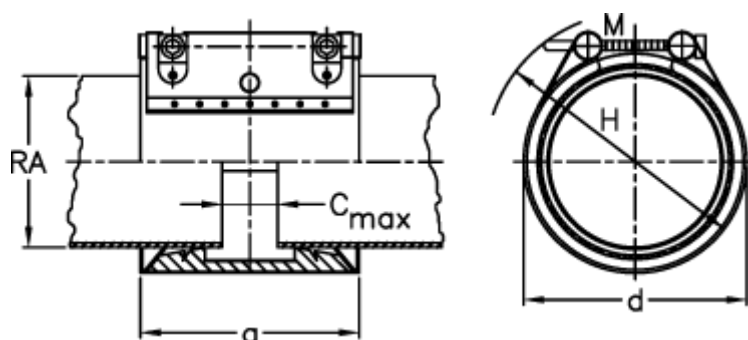
Data Sheet



Article number: 025748300406

Description: Norma Connect pipe coupling
GRIP E W5 Ø=406,4 EPDM, 2,5 bar

Measures



a	= 142
C max with insertion band	= 35
d	= 435
H	= 470
M (screw)	= M16
Nominal pressure (bar)	= 4.5
RA	= 406.4
RA min-RA max	= 402,0-410,0

Weight a piece = 12